

STANDARD BODY SPECIFICATIONS

BODY CONSTRUCTION

12 Gauge High Tensile Steel

HOPPER CONSTRUCTION

3/4 Cubic Yard Loading Hopper With Hydraulic Actuated Packer Blade And Crusher Panel

Floor – 1/4" T-1 "Ar" Steel

Sides – 3/16" T-1 "Ar" Steel

Floor Guides – 3" X 3" With 3/16" Wear Plate

Side Guides – 4" Mc4 X 13.8 Channel

Hopper Dimensions – 33" Long X 71 1/2" Wide X 13" Deep

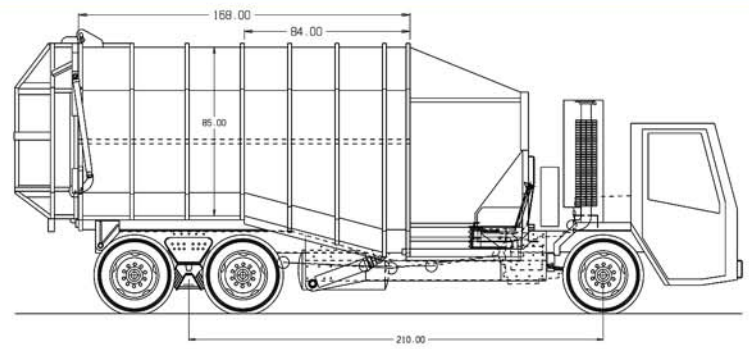
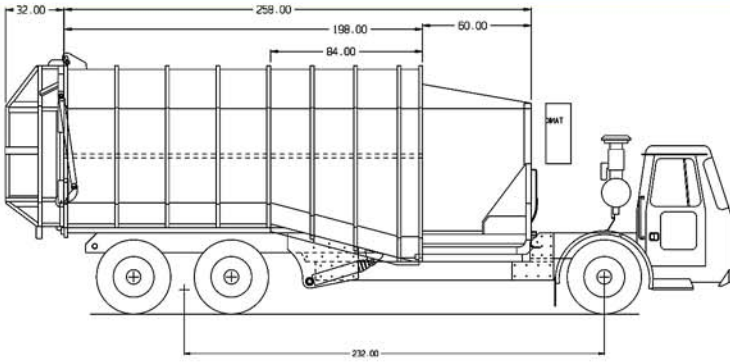
DUMP CONFIGURATION

Hoist

FRAME TYPE

Drop Frame





BODY CONSTRUCTION

12 Gauge High Tensile Steel

HOPPER CONSTRUCTION

3/4 Cubic Yard Loading Hopper With Hydraulic

Actuated Packer Blade And Crusher Panel

Floor – 1/4" T-1 "Ar" Steel

Sides – 3/16" T-1 "Ar" Steel

Floor Guides – 3" X 3" With 3/16" Wear Plate

Side Guides – 4" Mc4 X 13.8 Channel

Hopper Dimensions – 33" Long X 71 1/2" Wide X 13" Deep

HYDRAULIC REAR DOOR

Hydraulic Actuated Single Rear

Steel Convex Door

Door Sheets – 14 Gauge High Tensile Steel With Plywood Liner

PACKER FOLLOWER

Attached To Top Of Packer Blade To Prevent

Refuse From Collecting In Front Area Of Body

Follower Cover - 3/8" High Tensile Steel

PACKER BLADE

Packer Front – 1/2" Mild Steel

Packer Sides – 1/2" Mild Steel

Penetration Into Body – 6"

Packer Blade Dimension – 71" Wide X 11" High

Packer Top Cover

Packer Hinged Cover

HOPPER DOORS

Curb Side And Street Side

LOADING STEPS

Curb Side And Street Side

HOSES AND FITTINGS

HD Double Wire Braided Parker 100r2 SAE Hose With Jic Fittings

Zinc Dichromate Seamless Steel Tubing

RESERVOIR

Capacity - 60 Gallon

Breather Cap

Shut Off Valve

Tank Drain Plug

20 Micron Intank Return Line Filter With 20 Psi Bypass Valve

150 Micron Reusable Suction Filter

Visual Oil Level & Temperature Gauge.

HYDRAULIC OIL

Anti-Wear, Corrosion, Oxidation And Foam Inhibitors

Iso Viscosity Grade – 46

Api Gravity – 31

Viscosity – 220 @100 Deg.F.

Flash Point – 430 Deg.F.

HYDRAULIC CONTROLS

Electric / Air Automatic Packer Controls For Packer Blade. All Other Levers Operated On Right Side Behind Cab

POWER SOURCE

Front Mount Pump

Transmission Mounted PTO/Pump

PACKER CYLINDERS:

(2) Single Stage, Double Acting

Bore - 4"

Stroke - 29 3/4"

Rod - 2 1/2" Diameter Chrome Plated

CRUSHER PANEL CYLINDER

(1) Single Stage, Double Acting

Bore - 3"

Stroke - 13 3/4"

Rod - 1 1/4" Diameter Chrome Plated

REAR DOOR CYLINDERS

(2) Single Stage, Double Acting

Bore – 2 1/2"

Stroke – 35"

Rod – 1 1/2" Chrome

HOIST CYLINDERS

(2) Three Stage Telescopic, Single Acting

All Stages Chrome

Stroke: 63 1/2"

LIGHTS

Standard ICC Lights And Reflectors Conforming To California State Vehicle Code. "Truck-Lite" Tail, Stop, Back Up And Directional Lights

MID BODY TURN SIGNAL

Directional Lights Mounted At Mid-Point Of Body

REAR DOOR LIQUID CATCH

Steel Construction Installed Under Rear Door To Prevent Liquid Spill

DROP FRAME

Chassis Frame Modified For Low Pitch-In Height

FULLY ENCLOSED HOPPER

Open Wire Mesh Or Solid Steel With Full Opening Doors Both Sides

OPTIONS - LIGHTING

Ecco Strobe On Rear Door

4 Additional Rear Flashing Lights

2 Rear Mounted Spot Lights

1 Additional Rear/Center Mounted Brake Light

OPTIONS - SAFETY

Fire Extinguisher

Triangle Road Kit

Spill kit

OPTIONS - CAMERA SYSTEMS

1 Camera Rear

2 Camera Rear / Hopper

3 Camera Rear / Hopper / Left Cab

5 Camera Rear / Hopper / Left Cab / L-R Alley

MINIMUM STEEL SPECIFICATIONS

MILD STEEL

Tensile Strength – 56,000 Psi

Tensile Yield – 36,000 Psi

HIGH TENSILE STEEL

Tensile Strength – 80,000 Psi

Tensile Yield – 55,000 Psi

T-1 "AR" STEEL

Tensile Strength – 150,000 Psi

Tensile Yield – 100,000 Psi

Brinell – 363

ESTIMATED BODY WEIGHT

15,500 Lbs

(Options May Affect Total Body Weight)

Lighter Bodies Available With Material Modifications