



☎ 800 565-1723

🏠 > CHAGNON > CABLE HOIST ROLL-OFF SYSTEMS > OUTSIDE RAILS VERSIONS / DRC-OR > DRC-OR 75,000 lb. series · Outside rails roll-off system

---

## DRC-OR 75,000 LB. SERIES · OUTSIDE RAILS ROLL-OFF SYSTEM

---

### DESCRIPTION

---

With 75,000 lb. of total capacity and a standard 1 in. cable (25.4 mm - 6X26 – 103,400 lb.), our DRC-OR 75 000 system is ideal for 10 to 12 wheelers trucks in commercial, municipal or industrial application.

Manufactured to facilitate equipment maintenance and the work of operators and mechanics. Chagnon roll-offs quality exceed the standards of the industry (ANSI Z245.1, CSA W47.1, FMWS/MMSSS, WASTEC, ect.)

### KEY FEATURES AND ADVANTAGES

---

IMPROVED HEAVY DUTY FRAME HINGE OFFERS BETTER STABILITY.

SAFE AND LIGHT REMOVABLE NOSE STOPPERS WITH TUBING SLEEVES (2" X 4" X 3/8").

1" HOIST CABLE (6 X 26 - 106,000 LB. CAPACITY) WITH D-RING FOR GREATER VERSATILITY AND RESISTANCE (OPTIONAL BEAR CLAW).

EASY ACCESS TO CYLINDERS FOR QUICK MAINTENANCE.

40 GALLON HYDRAULIC RESERVOIR WITH INTEGRATED 10 MICRON SUBMERGED OIL FILTER AND OIL LEVEL AND TEMPERATURE GAUGES.

IN-CAB HEAVY DUTY ERGONOMIC AIR OVER HYDRAULIC CONTROLS.

SALAMI 40 GPM MANUAL CONTROLS FOR HYDRAULIC OPERATIONS (OUTSIDE CAB).

QUICK CHANGE SHAVERS: REPLACE WITHOUT UNMOUNTING CYLINDERS.

SLIDING CARRIAGE ON NYLATRON WEAR PADS.

GREASABLE 4" SIDE ROLLERS (2 1/2" SHAFT) WITH ALUMINIUM BRONZE BUSHING.

BOLTED GROUND ROLLER CAN BE REPLACED IN 10 MINUTES.

FMWSS/CMVSS APPROVED LED LIGHTS.

## TECH SHEET

GENERAL SPECIFICATIONS, DRC SERIES - 75 000 LBS CAPACITY			
Models	DRC-7522-OR	DRC-7524-OR	DRC-7526-OR
Length:	22'	24'	26'
Hoist Frame:	12" x 4" x 3/8" tube		
Top rail wear strip:	PL 3/8" x 3" x 8' . QT-100		
Hinges:	6" wide x 3 1/4" diam. - with 2" shaft (opt. 3") mechanical tubing		
Front stopper:	1 1/2" thick 44W		
Winch cable:	1" (25.4mm) 106,000 lb capacity (option.: turbo pressed)		
Hook/bushings:	Closed hook 9"- "D" ring (option.: Crosby/Swivel)		
Wear pad:	Nylatron 1/2" x 2 1/2" x 16 3/4"		
Rear roller:	6 5/8" diam. x 20" length		
Side roller:	4" width by 4" diam. with 2 1/2" shaft, with lubrication point. Aluminum bronze bushing and support. (option.: 5" diam.)		
Winch sheavers:	(1) 12" sheave with 2" shaft - (1) 10" sheave with 2" shaft - (1) 8" sheave with 2" shaft.		
CYLINDERS			
Side cylinders:	6 1/2" bore	7 1/2" bore	7 1/2" bore
Winch cylinders:	7 1/2" bore		
PAINT			
Colour :	Black, sandblasted, epoxy ester primed with 2 coats of urethane alkyd.		
CONTROLS			
Control Box inside cab.			
Internal controls:	Air		
External controls:	Manual		
HYDRAULIC SYSTEM			
Tank:	55 gal. (205 litres)		
Return filter:	10 Microns, installed in the tank (submerged)		
Pump:	36 GPM at 1200 RPM (gear) - option.: 38 GPM (vane)		
SUGGESTED EQUIPMENT (optional)			
P.T.O.	On crankshaft front mount (FEPTO)		
	<input type="checkbox"/> On crankshaft rear engine PTO (REPTO)		
	PTO on manual transmission		
	<input type="checkbox"/> PTO on automatic transmission		
Installation Pump type:	RPM - directly to PTO for manual transmission 120% (option.: front mount)		
Hydraulic distribution:	VD12 double action standard		
STANDARD ACCESSORIES AND EQUIPMENT			
Safety bar:	Steel, street side		
Back-up alarm:	Back-up alarm activated when vehicle reverses		
Fenders:	Galvanized steel		
Brake protectors:	Steel		
ELECTRICAL SYSTEM			
Compliance:	FMWSS/CMVSS approved L.E.D.		

Wiring:	100% waterproof
Lighting:	2 back-up lights 4 stop lights 1 licence plate light 3 marker lights at end of rails with MTC compliant side lights

## SPECIFICATIONS

The system must be compliant with the ANSI Z-245.60 2008 safety standard, all safety labels must be in the working language, and the system must be compatible with U-type cable containers. It shall be manufactured with the highest quality standards, construction plans must be approved by an engineer member of an accredited board, assembled and welded in accordance with the Canadian Welding Bureau (CWB) requirements.

### Lifting system:

- 75,000 lbs lifting capacity
- Available frame lengths: 22, 24, 26 ft. or custom, (Specifications for 24 ft., AC required 207 to 210)
- Frame lifting stingers: 4" x 12" x 3/8" tubing (no subframe required)
- Mobile carrier is robust and bolted for easy maintenance, and the carrier includes Nylatron wear skids: 5/8" x 2 1/4" x 15"
- 1" (25.4 mm) hoist cable 6 x 26 of 106,000 lbs capacity with a "D-loop" bushing for increased flexibility and strength
- Winch sheaves:
  - 12" Sheave with 2" shaft
  - 8" Sheave with 2" shaft
  - 10" Sheave with 2" shaft
- Side rollers with 4" mechanical tubing, 2 1/2" shaft, aluminum bronze bushing with lubrication point and welded supports (at least 4 on each side), addition of 5/16" x 4" flat bars between rollers to secure container movement
- Welded wear plates on rear part of stingers: 5/16" x 3" x 8"
- Ground roller between stingers: 6" x 20" HD. Bolted for easy maintenance
- Fixed front stopper (1 1/2") approved by an engineer and welded in compliance with the CBW requirements
- Lightweight and safely removable stopper inserted into stingers for 20' or 22' containers. Inserts must be seal welded in order to avoid water infiltration in the stingers' core centre.
- 2" hinge shaft with 6" mechanical tubing hinges
- Galvanized corrugated steel fenders for tandem rear axles
- Steel safety tips that supports the frame during maintenance on the driver's side

### Hydraulic System:

- 55 gal. tank (150 lbs.)
- 10 micron filter installed in the tank with oil level and temperature indicator.
- Distribution by double-action VD12 hydraulic valve
- Lifting Cylinder (Side) 5" (for 22') and 6 1/2" (for 24' and 26')
- Winch Cylinder: 7 1/2"
- Control box inside the cab provides an ergonomic location and pneumatic controls on the hydraulic system
- External manual hydraulic controls with a 36 GPM valve

### Electrical System:

- Electrical system approved by FMVSS / CMVSS L.E.D.
- All wiring is 100% waterproof
- Lighting arrangement on the bumper:
  - 2 reversing lights activated during reverse
  - 4 stop lights
  - 1 plate light
  - 3 stinger lights with MTC compliant side lights
  - 1 tailgate rear light

**Safety:**

- All lights are LED
- Robust safety holders
- Fastener belt included in each container

**Finish:**

- Based on the selected options

**Warranty:**

- Structural manufacturing defect: 3 years
- Pumps, cylinders, or other hydraulic and electrical components: 2 years
- Rolling mechanical parts (Sheaves, cables, rolls, etc.): 1 year
- Hydraulic Hoses, Electrical Components: 1 year

## OPTIONS

---

**OPTIONAL 100,000 LB. STEEL EXTENDABLE HYDRAULIC TAIL (STINGER TAIL).**

- Additional axles (Steerable lift or Self steer lift)
- On board scale system
- Telescopic cylinder
- Increase of the hydraulic reserve
- Biodegradable hydraulic oil
- Automatic greasing system
- Transmission or motor programming system
- Tarping system
- Stinger tail
- Removable stoppers and sleeve inserts
- Roller side 5 1/2"
- Wear plates on frame, full length 1/2" x 3"
- Checker plate, Steel plate, Galvanized steel or Polyethylene fenders for axles tandem
- Additional supports between rollers
- Ready to receive live or dead pup trailer structural assembly, includes hydraulic connector
- Pintle hook trailer hook-up with air lock
- Auto-retract bed mounted rear under ride ICC mechanical bumper
- Rear stabilizer
- Crosby or Gunnabo hook
- Complete installation. Ointle ready rear apron
- Assortment of pumps and PTO.
- Additonnal valve section and quick coupler 3/4" hoses to receive additional accessories
- Extended warranty
- L.E.D.Work lights
- Alarm (light/ sound) when hoist's up
- Toolbox in aluminium or steel with support brackets
- Shovel and support braket
- Back-up camera
- Extinguisher and support braket
- Industrial broom with mounting braket
- Other color than black (to specify)

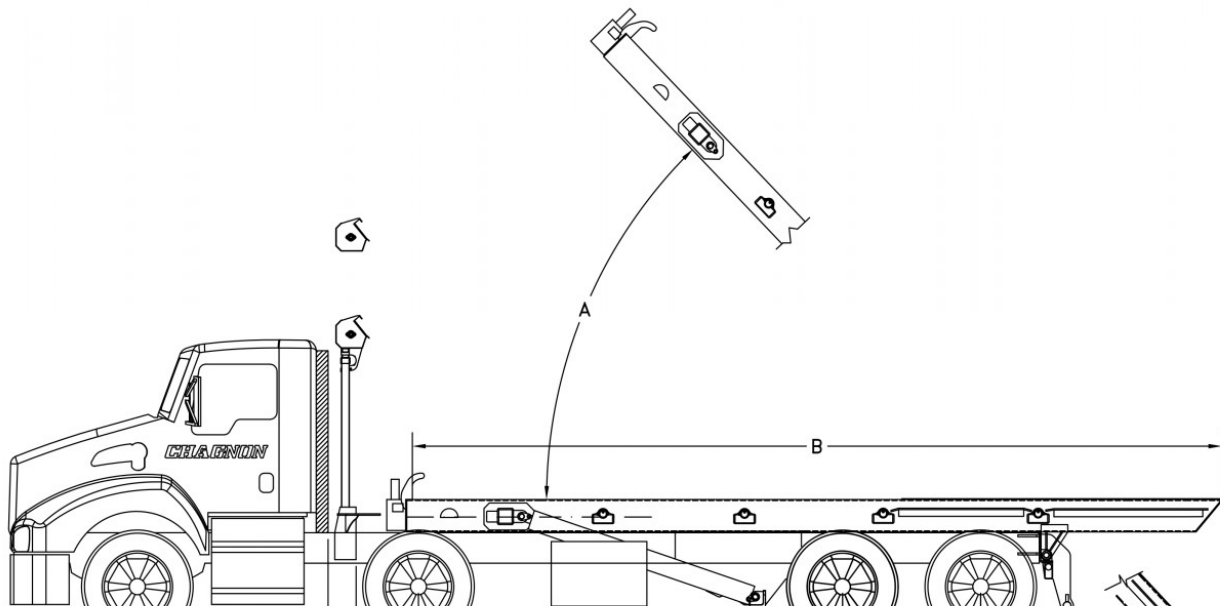
## PHOTOS

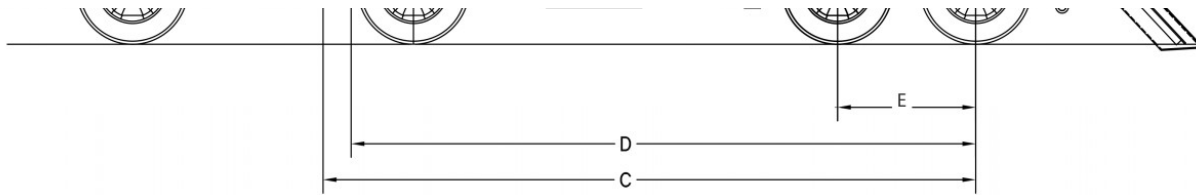
---



## DRAWINGS

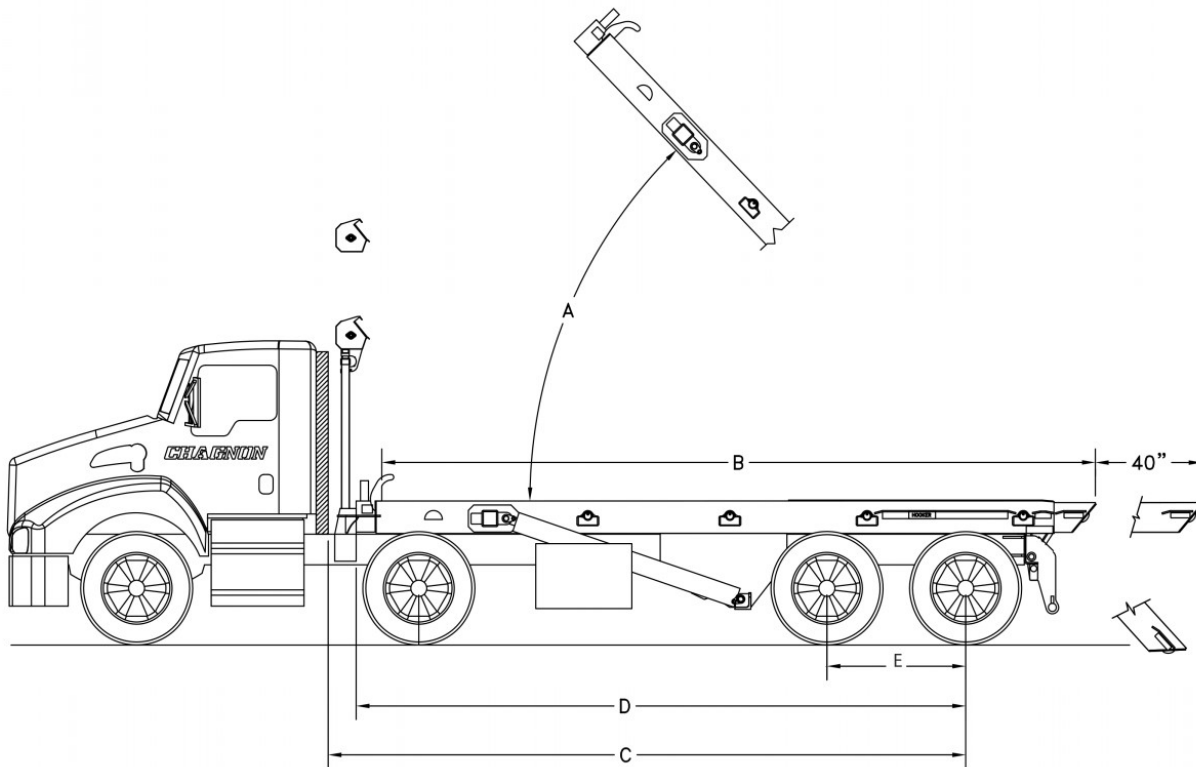
DRC-OR 75000 lb series - outside rails





MODEL	DRC-7522-OR	DRC-7524-OR	DRC-7526-OR
A Dump angle	49°	49°	49°
B Hoist length	277"	301"	325"
C Clearance from the rear cabin to the last axle, including space for the tarping system	198"	222"	246"
D Clearance from the rear cabin to the last axle, excluding space for the tarping system	186"	210"	234"
E Spread	52"	52"	52"

**DRC-OR 75000 lb series - outside rails - (opt.) stinger tail**



MODEL	DRC-7522-OR	DRC-7524-OR	DRC-7526-OR
A Dump angle	49°	49°	49°
Hoist length - stinger tail open (40" / 60")	277"/297"	301"/321"	325"/245"
B Hoist length – stinger tail closed	237"	261"	285"
C Clearance from the rear cabin to the last axle, including space for the tarping system	198"	222"	246"
D Clearance from the rear cabin to the last axle, excluding space for the tarping system	186"	210"	234"

E	Spread	52"	52"	52"
---	--------	-----	-----	-----