

HERCULES

COMMERCIAL FRONT LOADER



Proven Technology With Years of Experience

E-Z Pack

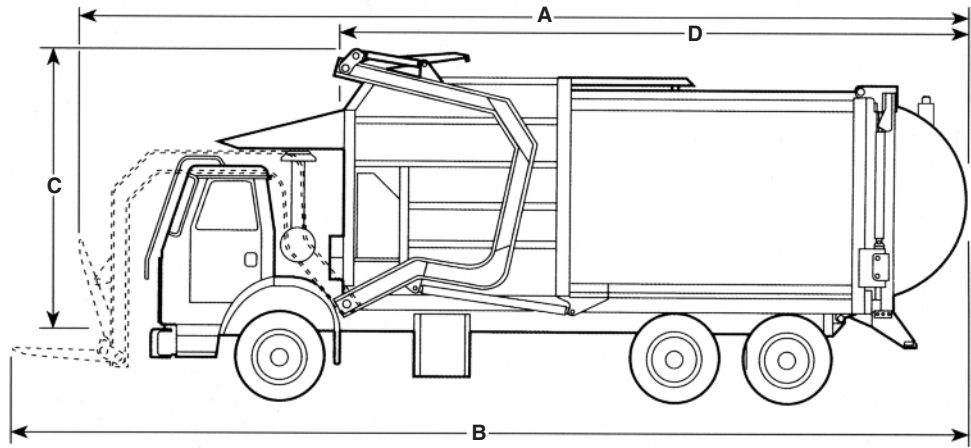


Innovation Made E-Z



E-Z Pack

HERCULES Commercial Front Loader SPECIFICATIONS



MODEL	35 Cu. Yd. (26.8 m ³)	37 Cu. Yd. (28.3 m ³)	40 Cu. Yd. (30.6 m ³)	44 Cu. Yd. (33.6 m ³)
A OVERALL LENGTH (Forks Perpendicular)	374.75" (9519 mm)	386.75" (9823 mm)	410.75" (10,433 mm)	422.75" (10,738 mm)
B OVERALL LENGTH (Forks Parallel)	413.25" (10,497 mm)	425.75" (10,814 mm)	449.75" (11,424 mm)	461.75" (11,728 mm)
C HEIGHT (Above Chassis Frame)	119.25" (3029 mm)			
D LENGTH (Body & Tailgate)	253" (6426 mm)	265" (6731 mm)	289" (7341 mm)	301" (7645 mm)
INSIDE WIDTH (Hopper)	80.25" (2038 mm)			
INSIDE WIDTH (Body)	88" (2235 mm)			
INSIDE HEIGHT (Body)	98" (2489 mm)			
INSIDE HEIGHT (Hopper)	93.25" (2369 mm)			
OVERALL WIDTH	96" (2438 mm)			
HOPPER WIDTH	80.25" (2038 mm)			
HOPPER LENGTH	89" (2261 mm)		101" (2565 mm)	
WEIGHT (Full Eject)	17,400 lbs. (7893 kg)	17,600 lbs. (7983 kg)	18,200 lbs. (8256 kg)	18,400 lbs. (8346 kg)

CONSTRUCTION AND OPERATIONAL DETAILS	
Hopper Floor	1/4" Plate (6.35 mm) 155,000 PSI 400 BHN
Hopper Sides (Upper)	10 ga. (3.42 mm) 100,000 PSI
Hopper Sides (Lower)	7 ga. (4.55 mm) 100,000 PSI
Body Floor	7 ga. (4.55 mm) 100,000 PSI
Body Sides	10 ga. (3.42 mm) 100,000 PSI
Body Roof	10 ga. (3.42 mm) 100,000 PSI
Gate Bubble	10 ga. (3.42 mm) 100,000 PSI
Packing Cylinders (2) Full Eject	5-1/2" (140 mm) 118,792 lbs. Packing Force
Interlaced 10" (254 mm) Longitudinals Under 10 Cu. Yd. (7.6 m ³) Hopper	
Flange Type 13" (320 mm) Wide Longmembers Under body	
Lift Arm Cylinders (2)	4-1/2" (114 mm) (D.A.)
Fork Cylinders (2)	4" (102 mm) (D.A.)
Tailgate Cylinders (2)	3" (76 mm) (D.A.)
Hopper Door Cylinder	3" (76 mm) (D.A.)
Hydraulic Oil Tank	47 Gallons (178 Liters)
Hydraulic Pump	42 G.P.M. @ 1200 RPM (159 Liter/Min.)
Hydraulic Filters	6 Micron Return / 3 Micron Breathers
System Operating Pressure	2,500 PSI
<i>SPECIAL NOTE: Chassis equipped with diesel engine requires full variable speed governor</i>	

Standard Features

- 100 Gallon (380 Liters) sump created by curved rear body floor
- Body floor, sides and roof radiused for greater strength
- 4 packing blade shoes (2 center mounted), replaceable without removing packing blade
- Automatic latch/unlatch tailgate
- 25 second packing cycle time
- 20 second container dump time
- Automatic packing cycle
- Filtration 6 micron return with electric dirt indicators in cab
- High mount light package
- Air controls
- Sliding hopper cover
- Mounting bracket for strobe and camera
- Tailgate maintenance props

Optional Equipment

- West Coast lightweight body
- Residential package
- 10 gauge hopper side liners
- Shark's teeth load retainers
- 10,000 lb. lift arm capacity
- Adjustable forks
- 60" extended forks
- Fork stop kit
- Installation of body or fork mount scale system
- Front body enclosure with valve cover
- 10" cabshield extension
- Front body sump doors or sump overlay
- Partial raise service hoist
- Remote lube fittings for packer panel
- Washout tank
- Camera systems
- Outside controls
- Container flood light
- Hopper flood light
- L.E.D. lamps
- Strobe/rotating beacon lights
- Trapezoidal reverse side lights
- "Fuel Saver" hydraulic system
- High pressure filter
- Spare filter package
- Plastic clean-out shovel

E-Z Pack Manufacturing, LLC, reserves the right under its Product Improvement Program to modify construction and/or design and furnish equipment without reference to illustrations and specifications shown herein. All specifications are subject to change without notice.



E-Z Pack Manufacturing, LLC
P.O. Box 790 • 200 Ladish Road • Cynthiana, KY 41031
Phone 859-234-1100 • Fax 859-234-0061
www.ezpacktrucks.com

Authorized Distributor: