

# ROLL-OFF CABLE HOISTS



Tel: 800.285.0666 | sales@wastequip.com | www.wastequip.com

## ABOVE FRAME SERIES

Above Frame (**AF**) cable hoists are versatile enough to work with any truck chassis, suspensions, exhaust systems and fuel tanks.

» **60,000 lb. capacity**

» **Tandem axle**

## AF SERIES



AF-OR model shown

## STANDARD FEATURES

### Ease of operation

- Centered cab-mount Power Tower
- Plug n' Play wiring system
- Pintle ready rear aprons
- Standard inside air control

### Safety

- Automatic front container spring-loaded locking system and rear container hold-downs
- Heavy-duty safety props
- Fold-up ICC bumper
- Backup alarm and hoist up alarm with signal light on dash
- Optional hoist up speed-limiting parameters

\* **Factory mount models**

### Durability

- 3 micron filtration system with dual viscosity oil
- Two part epoxy primer and paint\*
- Field tested heavy duty rear hinge
- Hoist frames are huck bolted to chassis\*
- Shock-absorbing sub-frame
- Oil reservoir is filter cart ready
- LED lighting
- Lifetime warranty on frame and two-year warranty on hydraulics

### Quality

- Lean manufacturing process, along with engineering, solid modeling and stress analysis testing, ensure quality, consistent product every time
- Customized engineering layouts are created based on customers' chassis to ensure compatibility

## AVAILABLE OPTIONS

- Reverse cylinder mount
- Pintle hook applications
- Various fender selections
- Auxiliary hydraulic hook-ups
- Scale systems
- Pioneer Rack 'n Pinion tarping systems

# GALBREATH QUALITY

## Standard Features



3 micron (pictured at right) filtration system with dual viscosity oil reduces contamination, required maintenance and down time



Automatic front container spring-loaded locking system and rear container hold-downs help ensure container remains in place



"Plug n' Play" wiring system eliminates crossed wires, loose connections, corrosion and splices; allows for easy light replacement



Oil reservoir is filter cart ready, reducing maintenance costs



Air assist ICC bumper



Hoist frames are huck bolted to chassis, providing unmatched strength and durability (factory mount only)

## Available Options



Rear skid plate with outboard supported rollers



Optional rear ratchet straps on all cable models



Pintle ready rear aprons allow for the addition of a pintle hook and easy upgrade to a trailer package

# SPECIFICATIONS

## OR Series

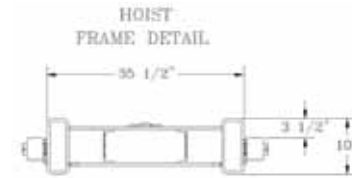
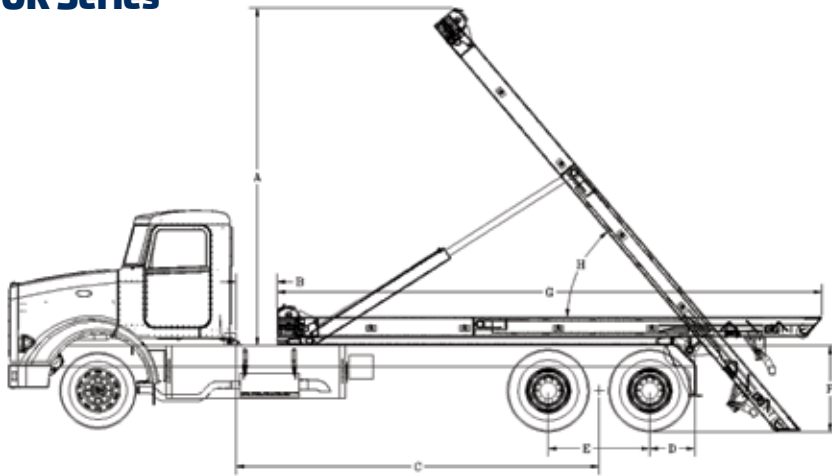
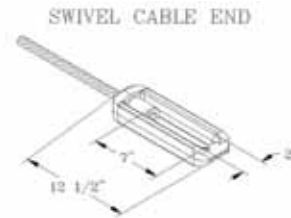


Illustration applies to AF-OR style only.  
See next page for other models.



### Notes for chart below:

- 1 When recommending container lengths, weight distribution, fender interference and overhang are factors
- 2 Factory tested with recommended container length and water level load
- 3 Frame = top of truck chassis frame
- 4 This distance does not allow for a behind-the-cab oil reservoir, tarper platform and room to add a tarper. Must add distance for these items
- 5 Using 22.5" tires only. For larger tires, consult representative

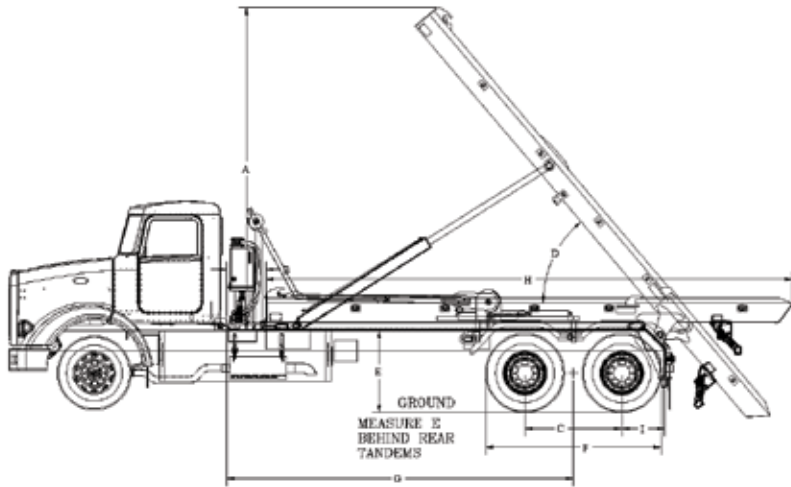
	AF-OR-174	AF-OR-194	AF-IO-174	AF-IO-194
<b>FEATURE</b>	<b>TANDEM AXLE</b>	<b>TANDEM AXLE</b>	<b>TANDEM AXLE</b>	<b>TANDEM AXLE</b>
Recommended container size <sup>1</sup>	18-22'	20-24'	18-22'	20-24'
Rated capacity <sup>2</sup>	60,000 lbs.	60,000 lbs.	60,000 lbs.	60,000 lbs.
A - Height above truck frame <sup>3</sup>	173"	188"	173"	188"
C - Axle spread	51-60"	51-60"	51-60"	51-60"
D - Raised dump angle	50°	50°	50°	50°
E - Top of truck frame to ground <sup>3,5</sup>	46"	46"	46"	46"
F - Tire OD to OD	98"	98"	98"	98"
G - Clear Cab to Trunnion (CT) (includes behind the cab tank on tarper mounting platform)	188"	208"	188"	208"
H - Hoist length	282 1/2"	305 1/2"	282 1/2"	305 1/2"
I - After frame	25"	25"	25"	25"
Lift cylinders DA = double acting DAT = double acting telescopic	6" x 3 1/2" x 73" DA	6" x 3 1/2" x 73" DA	6" x 3 1/2" x 73" DA	6" x 3 1/2" x 73" DA
Lift cylinders shaft	2 3/4" solid	2 3/4" solid	2 3/4" solid	2 3/4" solid
Winch cylinders DA = double acting	7" x 4" x 80" DA	7" x 4" x 90" DA	7" x 4" x 80" DA	7" x 4" x 90" DA
Approx. weight with standard features	7,882 lbs.	8,526 lbs.	8,378 lbs.	8,526 lbs.

FEATURES	TANDEM AXLE
Hoist frame	10" x 4" x 1/2" - A500 Grade C Tubing
Subframe	4" x 4" x 1/4" - A500 Grade C tubing
Front stop	1 1/2" plate
Front safety lock	Automatic spring loaded
Hinge shaft	2 1/2" solid steel
Cable anchors	Wedge and ferrule
Cable end	Swaged end swivel eye
Rear hold downs	3/4" plate located for standard Wastequip containers
Operating pressure	3,200 psi
Hydraulic pump	Gear type, 37 1/2 GPM @ 1500 RPM
Hydraulic valve	2 spool / 45 GPM with safety bypass
Oil reservoir	50 gallon with 3 micron filter and fill
Outside rollers	4" O.D. with bronze bearings
Cable sheaves	10" O.D. with bronze bearings
Working points	Greasable
Chassis front axle	18,000 lbs. (minimum) capacity with power steering
Chassis rear axle	44,000 lbs. (minimum) capacity with walking beam suspension
Frame modulus	50,000 psi or more chassis frames - minimum section modulus = 24 in <sup>3</sup>
Torque required	383 foot pounds of torque

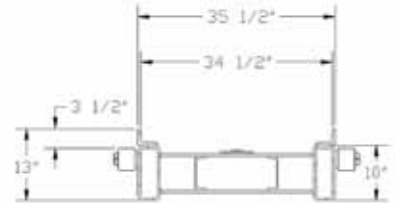
F-IO-194	AF-EX-174	AF-EX-194	AF-OX-174	AF-OX-194	AF-HH-174
TANDEM AXLE	TANDEM AXLE	TANDEM AXLE	TANDEM AXLE	TANDEM AXLE	TANDEM AXLE
20-24'	18-22'	20-24'	18-22'	20-24'	18-22'
60,000 lbs.	60,000 lbs.	60,000 lbs.	60,000 lbs.	60,000 lbs.	60,000 lbs.
188"	173"	188"	173"	188"	173"
51-60"	51-60"	51-60"	51-60"	51-60"	51-60"
50°	50°	50°	50°	50°	50°
46"	46"	46"	46"	46"	46"
98"	98"	98"	98"	98"	98"
208"	188"	208"	188"	208"	188"
302 3/4"	242"	262"	282 1/2"	305 1/2"	238 3/4"
25"	25"	25"	25"	25"	25"
6" x 3 1/2" x 73" DA	6" x 3 1/2" x 73" DA	6" x 3 1/2" x 73" DA	6" x 3 1/2" x 73" DA	6" x 3 1/2" x 73" DA	6" x 3 1/2" x 73" DA
2 3/4" solid	2 3/4" solid	2 3/4" solid	2 3/4" solid	2 3/4" solid	2 3/4" solid
7" x 4" x 90" DA	7" x 4" x 80" DA	7" x 4" x 90" DA	7" x 4" x 80" DA	7" x 4" x 90" DA	7" x 4" x 80" DA
9,022 lbs.	8,849 lbs.	9,133 lbs.	9,316 lbs.	9,600 lbs.	7,555 lbs.

# HOIST DRAWINGS

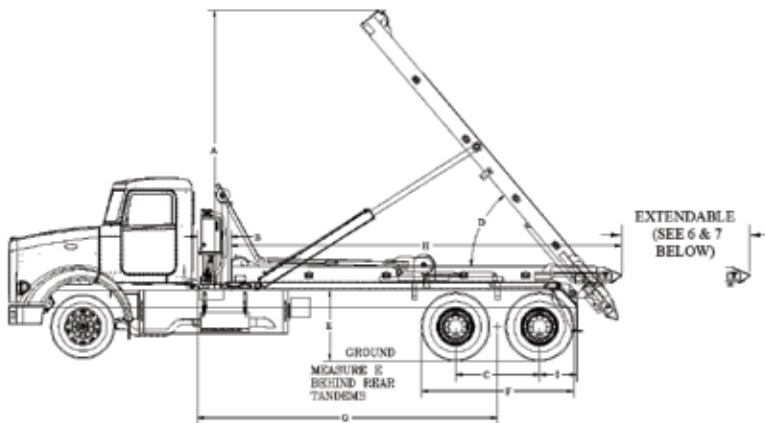
## IO Series



HOIST  
FRAME DETAIL

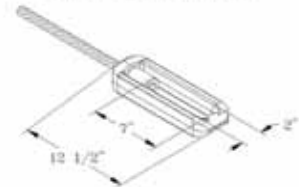


## EX Series

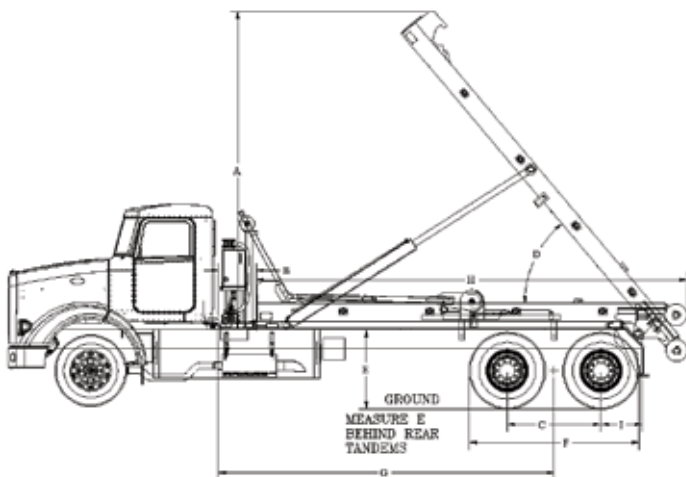


HOIST  
FRAME DETAIL

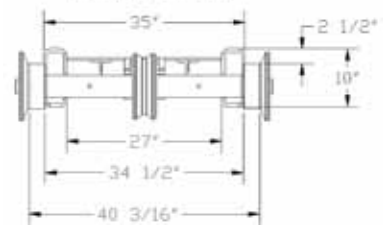
SWIVEL CABLE END



## HH Series



HOIST  
FRAME DETAIL



KNUCKLE CABLE END

# AVAILABLE OPTIONS

- Reverse cylinder mount
- Pintle hook applications
- Various fender selections
- Auxiliary hydraulic hook-ups
- Scale systems
- Pioneer Rack 'n Pinion tarping systems

# TRUCK SPECIFICATIONS

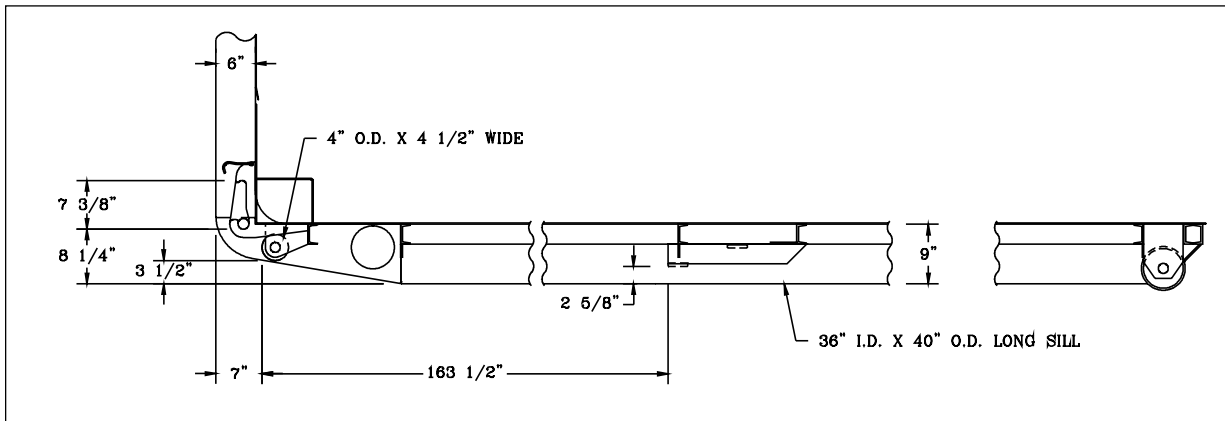
## Tandem axle:

- Front axle: 18,000 lbs. (min.) capacity
- Rear axle: 44,000 lbs. (min.) capacity
- 50,000 psi or more chassis frames
- Minimum section modulus = 24 in.<sup>3</sup>

## Additional information:

- Operating pressure is 3,200 psi and engine/transmission torque required = 383 ft. lbs.

# CONTAINER REQUIREMENTS



DIMENSION "X"*				
CONTAINER LENGTHS				
MODEL	18 ft.	20 ft.	22 ft.	24 ft.
All Models	173"	191"	191"	191"

\* Dimension "X" is center of rail roller to front of rear hold down

NOTE: Tolerance for all models is +1" / -0" except where container lengths are not recommended or where more information is required.



Tel: 800.285.0666 | sales@wastequip.com | www.wastequip.com

Wastequip is the leading North American manufacturer of waste and recycling equipment for collecting, processing and transporting recyclables and solid or liquid waste. September 2012 © Wastequip, all rights reserved. Specifications subject to improvement without notice. Equipment displayed should be operated by properly trained personnel. Operators should become familiar with OSHA, ANSI and any other applicable standards or laws for using this equipment. Improper use, misuse, or lack of maintenance could cause injury to people and/or property. Photos used in the literature are illustrative only. We assume no liability or responsibility for proper training/operation of equipment not manufactured by Wastequip. We reserve the right to make changes at any time without notice. Information contained within this literature is intended to be the most accurate available at time of printing.