

LOADED CONTAINER HANDLER (SLCH)



Tel: 800.285.0666 | sales@wastequip.com
www.galbreathproducts.com



Galbreath's new Loaded Container Handler (SLCH) transports loaded containers at highway speeds safely, efficiently, and cost-effectively.

- » **Increased speeds**
- » **Lower overall height**
- » **CNG and diesel compatible**

Benefits

Improved Safety

- Container bottom is fully supported by dual rails with replaceable wear strips for added safety and stability
- Container sits over rear axle for improved safety and handling, and transfers more weight to the steer axles
- Rear lights are visible during transport, eliminating need for additional light bars or flagging
- Ratchet straps provide added container security
- Container remains level during transport to prevent waste spillage
- Easily accessible for trailer hookup in pintle applications
- Designed for low overhead clearance

Cost Savings and Efficiency

- Allows smaller trucks to be used for container pick-up, resulting in fuel savings and reduced emissions versus using a full-sized front-end loader garbage truck
- Improved aerodynamic design reduces drag
- Joystick controls inside the cab for easy one-handed operation
- Can be used with front or rear-load containers
- Lightweight design
- Integrated oil reservoir

Standard Features

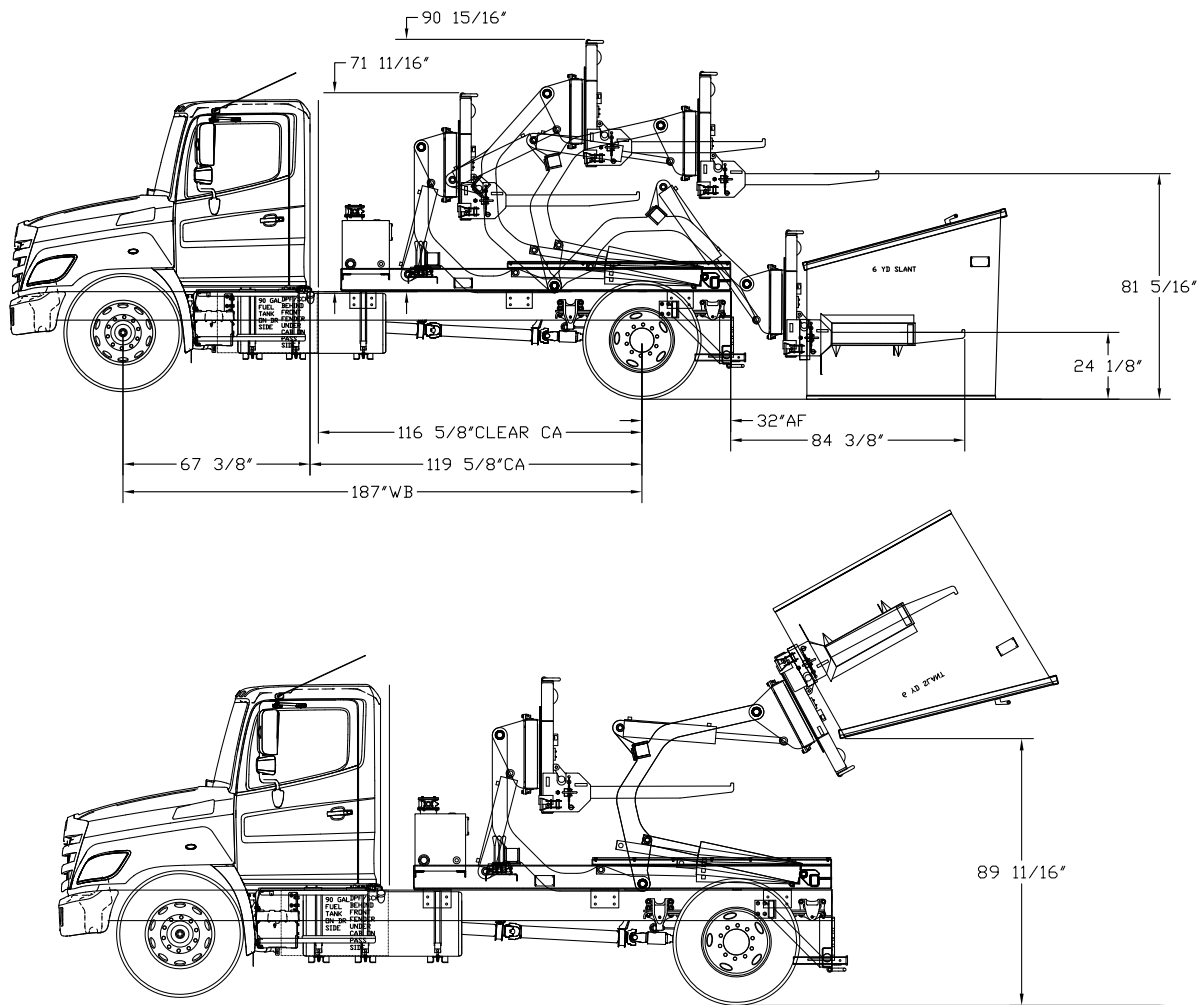
- Poly half-round fenders
- Inside joystick control
- Bumper with LED lighting
- Pintle-ready apron
- Ratchet retainer straps
- Rear-load attachment
- Back-up alarm
- Hoist-up alarm with signal light
- Plug-and-play wiring
- Rotates to fully dump container into standard 30-yard open-top
- Three-micron filtering system
- Outside three (3) spool manual controls
- Poly container bumper stops
- Two (2) lift cylinders for stability in operation
- Two (2) tilt cylinders for mast stability while rotating
- Direct-mount hydraulic gear pump (23 gpm at 1,500 rpm, operating pressure 3,800 psi*)
- One-year warranty

Available Options

- PTO for automatic or manual transmissions
- Work lights
- Steel or aluminum fenders
- Tool box installed on frame
- Camera kit
- Air compressor for non-air trucks
- Factory mounting
- Lid holder and hinge rod holder
- Pintle hook
- Toter cart carrier behind cab

All Galbreath products are designed to be compliant with ANSI standard container requirements.

LOADED CONTAINER HANDLER (SLCH)



Specifications

Capacity: Up to 8,000 lbs.*

Stacking capability: Various sizes (example: two 4-yard or two 2-yard containers)**

Capable of dumping into standard 30-yard open-top container

ANSI compliant container sizes (capacity):

Front Load: 2 to 10 yard

Rear Load: 2 to 6 yard

Recommended Truck Chassis Specifications

Minimum chassis GVWR	25,900 lbs.
Front axle capacity	8,000 lbs.
Rear axle capacity	18,000 lbs.
Frame steel	50,000 psi (minimum)
Section modulus	15.5 in ³
Chassis wheelbase	183" (minimum)
Clear CA	113"
After frame	31-1/2"
LCH weight	4,990 lbs.
Dual rear wheels	Recommended
For Toter cart carrier	Add 3' to CA
For behind-the-cab storage	Add to CA

* When using ANSI compliant front-load or rear-load containers in good working condition, not to exceed container manufacturer's load capacity rating or truck chassis center of gravity limitation. Contact Wastequip or your local Galbreath dealer for more information.

** On-road. Capable of carrying more containers for in-yard use.



Tel: 877.468.9278 | sales@wastequip.com | www.galbreathproducts.com

Galbreath is a Wastequip brand. Wastequip is the leading North American manufacturer of waste and recycling equipment for collecting, processing and transporting recyclables and solid or liquid waste. © Wastequip 2015. All rights reserved. Specifications subject to improvement without notice. Equipment displayed should be operated by properly trained personnel. Operators should become familiar with OSHA, ANSI and any other applicable standards or laws for using this equipment. Improper use, misuse, or lack of maintenance could cause injury to people and/or property. Photos used in the literature are illustrative only. We assume no liability or responsibility for proper training/operation of equipment not manufactured by Wastequip. We reserve the right to make changes at any time without notice. Information contained within this literature is intended to be the most accurate available at time of printing.

GAL027-042015